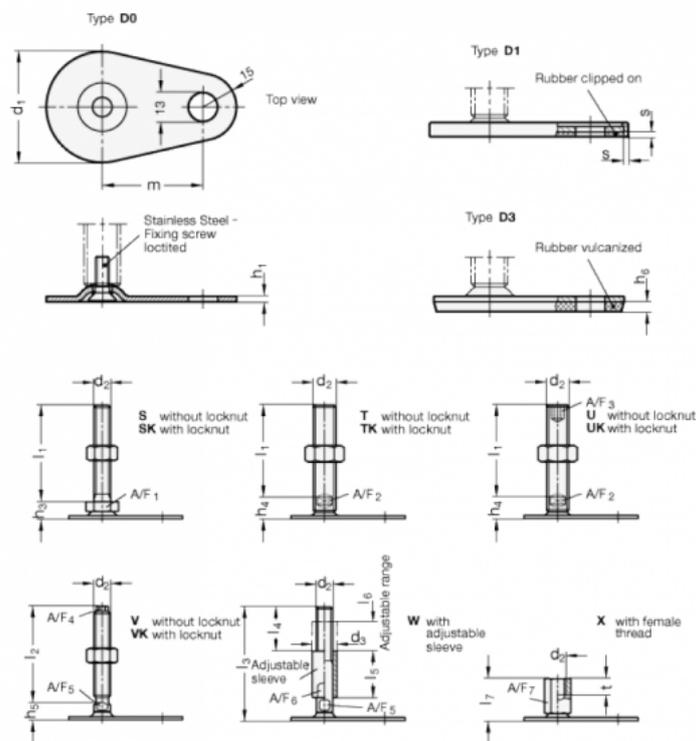


Article number: 204380M20150D3TK
 Description: E+G levelling foot
 GN 43-80-M20-150-D3-TK
 Note: TK With nut, Wrench flat at the bottom

Measures



A/F2 = 15	s =
d1 = 80	
d2 = M20	
h1 = 3	
h4 = 18	
h6 = 5	
l1 = 150	
m = 70	